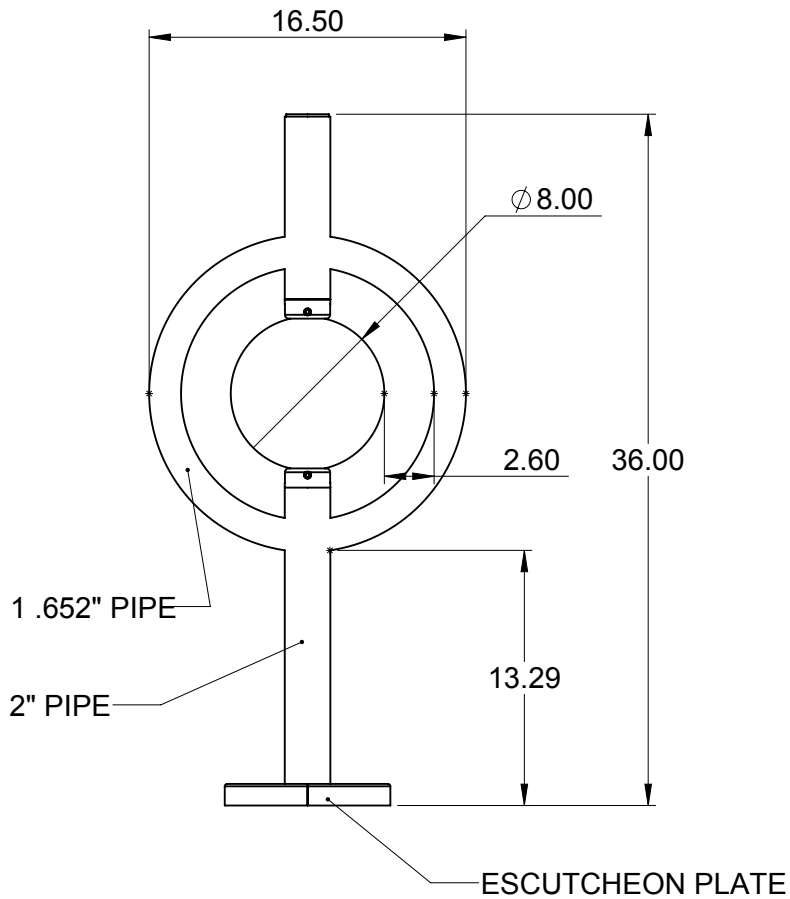


A1

A2

SHAPE #

19886A



CUSTOM DECALS
ON BOTH SIDES
OF PANEL



NOTES:

- ALL WELDED ALUMINUM CONSTRUCTION
- FRAME COLOR: RAL 39/80010 (SMOOTH GLOSSY)
- CUSTOM INTERIOR PANEL WITH DECALS
- PANEL COLOR: RAL 39/10010 (SKY WHITE)
- CUSTOM DECALS ON BOTH SIDES OF PANEL

MUST BE BOLTED DOWN

B1

B2

GENERAL NOTES: NOT DRAWN TO SCALE - CRITICAL DIMENSIONS
ALL DIMENSIONS ARE NOMINAL
ANY AND ALL INFORMATION ON THIS DRAWING
MAY BE PROPRIETARY TO SHAPE INDUSTRIES INC.
AND MAY NOT BE COPIED OR ALTERED WITHOUT
PERMISSION FROM SHAPE INDUSTRIES INC.
255 HUTCHINGS ST., WINNIPEG, MANITOBA, CANADA, R2X 2R4.



REVISIONS				
DATE	DESCRIPTION	REV.	REV. BY	

CLIENT:	NORTH END BIZ		
LOCATION:	WINNIPEG, MB		
DESCRIPTION:	CUSTOM KEEPER BIKE RACK		
DRAWN BY	NR	DATE	9/28/2018
CHECKED BY		TAG:	PAGE: 1/1